



2950 Niles Road, St. Joseph, MI 49085-9659, USA
269.429.0300 fax 269.429.3852 hq@asabe.org www.asabe.org

An ASABE Meeting Presentation

Paper Number: 131594671

Effect of flushing velocity and elapsed time on sediment transport in driplines

Jaume Puig-Bargués¹
Freddie R. Lamm²

¹ University of Girona, Girona, Catalonia, Spain. jaume.puig@udg.edu

² Kansas State University, Colby, Kansas, USA. flamm@ksu.edu

**Written for presentation at the
2013 ASABE Annual International Meeting
Sponsored by ASABE
Kansas City, Missouri
July 21 – 24, 2013**

Abstract. *Dripline flushing is a maintenance procedure that is recommended for all microirrigation systems. However, flushing velocity and flushing duration, which particularly affects the design and management of subsurface drip irrigation (SDI) systems, have not been studied extensively. A laboratory study was conducted at Kansas State University with a 10 m transparent pipe simulating a SDI dripline. Three different sediments with sizes up to 500 μm were introduced into the pipeline and their distribution along the pipeline was analyzed under different flushing velocities over various times. Head loss under the conditions of this study increased exponentially with increased flushing velocity suggesting that the flow regimes could be characterized between moving beds and heterogeneous flow. The percentage of pipeline blockage was logarithmically related to the flushing velocity, with greater than 30% of the pipeline occupied by these larger sand sediments when the flushing velocity was less than 0.3 m/s. Although flushing velocities at or near the calculated deposition velocity could remove the majority of the sediments with a short duration of 15 minutes or less, flushing velocities approximately 45 to 65% of the deposition velocity could achieve similar sediment removal with longer flushing duration (up to 180 minutes). The ASAE EP-405 recommended minimum flushing velocity of 0.3 m/s still appears adequate for most microirrigation systems operating under typical conditions. Designers are encouraged to calculate the deposition velocity for new microirrigation systems and to use it as a flexible guideline to assess the adequacy of flushing. End-users are encouraged to extend the duration of flushing for perhaps as long as five minutes after the initial concentration of sediments are removed to improve overall flushing. Further research is warranted to evaluate flushing velocity, but the results of this study should be representatively instructive of the phenomenon of sediment transport in microirrigation driplines during flushing.*

Keywords. *Microirrigation, dripline flushing, emitter clogging, drip irrigation, pipeline sedimentation*

The authors are solely responsible for the content of this meeting presentation. The presentation does not necessarily reflect the official position of the American Society of Agricultural and Biological Engineers (ASABE), and its printing and distribution does not constitute an endorsement of views which may be expressed. Meeting presentations are not subject to the formal peer review process by ASABE editorial committees; therefore, they are not to be presented as refereed publications. Citation of this work should state that it is from an ASABE meeting paper. EXAMPLE: Author's Last Name, Initials. 2013. Title of Presentation. ASABE Paper No. ---. St. Joseph, Mich.: ASABE. For information about securing permission to reprint or reproduce a meeting presentation, please contact ASABE at rutter@asabe.org or 269-932-7004 (2950 Niles Road, St. Joseph, MI 49085-9659 USA).

Introduction

Dripline flushing is a maintenance practice for microirrigation systems that removes those particles not retained by the microirrigation system filters and that accumulate in the driplines (Adin and Sacks, 1991; Ravina et al., 1992). These particles may travel through the filters as individual particles, but then flocculate or become attached to organic residues and eventually become large enough to clog emitters (Nakayama et al., 2007). Dripline flushing also allows removal of soil particles that may have been backsiphoned through the emitters during the system stops and chemical precipitates and biofilms that may have been formed. For these reasons, dripline flushing is an essential practice to properly maintain subsurface drip irrigation (SDI) systems and ensure a long economic system life (Lamm and Camp, 2007).

To be effective, dripline flushing must be done often enough and at an appropriate velocity to dislodge and transport the accumulated sediments (Nakayama et al., 2007). The flushing velocity is of critical importance for sediment and contaminant removal and has technical and economic effects, since the microirrigation system must be designed with the requirements for achieving an appropriate velocity. Thus, SDI system design should be influenced by the flushing velocity at which contaminant removal occurs since lateral lengths, operating pressures during flushing and dripline diameters will be affected (Lamm and Camp, 2007). The American Society of Agricultural and Biological Engineers (ASABE) Engineering Practice, EP-405, recommends a minimum flushing velocity of 0.3 m/s (ASAE, 2003) but some researchers have suggested that a flushing velocity of 0.5 to 0.6 m/s may be necessary when larger particle sizes need to be discharged, such as when coarser filters are used (Hills and Brenes, 2001; Nakayama et al., 2007) or when larger diameter driplines are used (Koegelenberg, 1998). In a short-term study with target flushing velocities ranging from 0.23 m/s to 0.61 m/s, Puig-Bargués et al. (2010b) did not find large effects of flushing velocity on emitter discharge. However, greater flushing velocities removed more solids from the driplines. They also found that the pattern of sediment deposition within the flushed driplines was different from that of the non-flushed driplines. A greater deposition near the dripline inlets was observed for the flushed driplines with smaller flushing velocities, and greater solids deposition closer to the distal ends when flushing velocity was greater.

Different flushing frequencies have been used by several researchers: daily (Ravina et al., 1997), twice per week (Tajrishy et al., 1994), once per week (Tajrishy et al., 1994; Hills et al., 2000), every two weeks (Ravina et al., 1997; Hills and Brenes, 2001; Puig-Bargués et al., 2010b), monthly (Puig-Bargués et al., 2010a, 2010b) and seasonal (Puig-Bargués et al., 2010a). Puig-Bargués et al. (2010a) found greater emitter clogging at the distal end of the dripline without flushing than with a monthly and a seasonal flushing with the latter two being not significantly different. Conversely, Puig-Bargués et al. (2010b) observed an inconsistent effect of flushing frequency on dripline sediment removal. There was a greater sediment removal for a single flushing at the greatest flushing velocity, but as flushing velocity decreased, there tended to be slightly better sediment removal with more frequent flushing. Differences in localized flushing velocities at the sediment deposition points within the dripline and the erosive effects of the particle aggregates may have affected sediment movement.

After studying the effect of different flushing velocities and frequencies, Puig-Bargués et al. (2010b) suggested that increasing the duration of flushing could be a more important and less expensive means (i.e. increased flushing events increase labor requirements, and greater flushing velocities can greatly increase SDI system costs through different pumping requirements and reduced zone size, creating a need for more pipes, controls, and connectors) of increasing the overall effectiveness of flushing, given the manner in which sediments move within the dripline during flushing.

The main objectives of this work were to study the effect of flushing velocity and flushing duration on sediment transport in a pipeline that was used to simulate an SDI dripline.

Materials and methods

Experimental setup

An experimental setup simulating a dripline was constructed in a laboratory at the Kansas State University Northwest Research-Extension Center, Colby, Kansas. The setup (Figure 1) consisted of a horizontal transparent PVC pipe of 25.4 mm internal diameter, 3.8 mm wall thickness and 10 m in length, connected to a vertical valved flushline riser pipe (1 m height) of the same internal diameter. After this vertical pipe, the water was gravimetrically discharged into a 200 L storage tank for recirculation into the system. Water temperature was measured in this tank using a liquid thermometer ($\pm 0.1^\circ\text{C}$ precision). At the water storage tank outlet, the water was filtered by a 75 μm disk filter before being pumped into the system. The water was pumped through the system to the beginning of the experimental pipe through an opaque PVC pipe of 50 mm internal diameter.

A volumetric flow meter was installed to determine the volume and velocity of the circulating water. Pressure gauges located at the beginning and end of the transparent experimental horizontal pipe were used to measure the head loss. A gate valve near the pipeline inlet was used for regulating the flowrate and water velocity. A small solid dosing tank, which was pressurized, was used for releasing the sediments into the system.

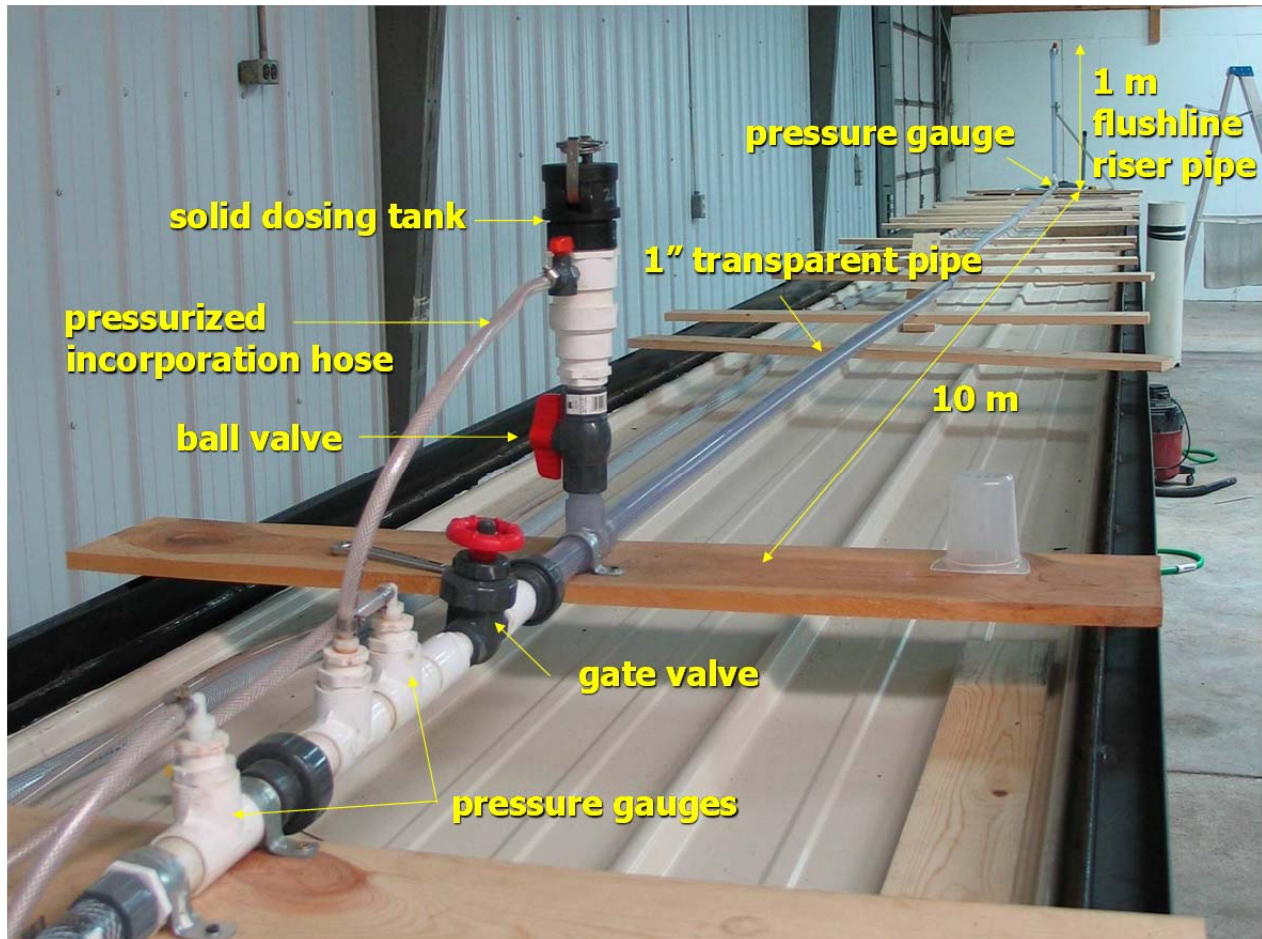


Figure 1. Experimental setup for the study. The water storage tank, pump and transport pipe are below the raised platform and thus are not shown in the photograph.

Experimental procedure

Determination of the head loss and pipeline cross sectional area occupied by the sediments

The goal of the first experimental trial was to determine the head loss in the system as well as the area occupied by the sediments.

Different water flowrates and velocities were obtained by opening or closing the gate valve preceding the transparent pipe inlet (Figure 1). When the water flowrate and velocity reached a stable value, 300 g of sediments, which had been previously placed in the small solid dosing tank, were released into the pipeline by opening the ball valve and introducing a small amount of pressurized water above the sediments. The volumetric concentration of the sediments in the pipeline was approximately 2%. The pipeline remained under constant pressure during the process. Overall, three types of solids were used in the various experiments: aluminum oxide with a size below 250 μm , silica sand with a size below 250 μm and silica sand with a size between 250 and 500 μm . The solids were previously sieved on a sieve stack to obtain the desired size range. Additionally, a trial was conducted using only water to determine the pipeline head loss without sediments.

At regular intervals, the head loss between the beginning and the end of the transparent pipe was determined by comparing the pressure gauges. The pumped volume of water was recorded from the volumetric flow meter. The water velocity was determined by dividing the pumped volume by the elapsed time. The sediment bed height h on the lateral (Figure 2) was measured externally with a measured rule in 1 m increments along the pipeline.

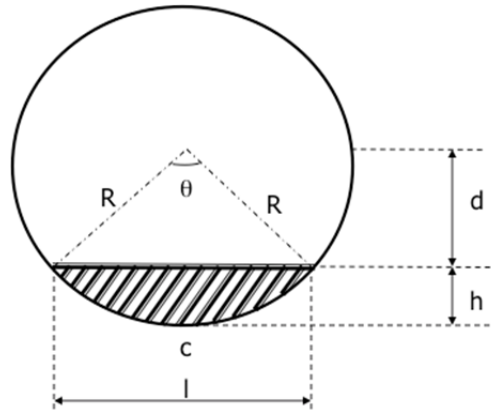


Figure 2. Schematic of a pipeline with a sediment bed.

Once the sediment bed height h (m) was measured, the pipeline cross area occupied with sediments (A_f , m^2) was computed with the formula:

$$A_f = R^2 \cdot \cos^{-1}\left(\frac{R-h}{R}\right) - (R-h)\sqrt{2Rh-h^2} \quad (1)$$

with R being the pipeline radius (m). The percentage of cross sectional area filled with sediments was obtained dividing A_f by the total pipeline cross sectional area.

The experimental conditions for the different runs and sediments used are listed in Table 1. The Reynolds number (Re) was computed using the formula:

$$Re = \frac{\rho v D}{\mu} \quad (2)$$

where ρ is the water density (kg/m^3), v is the water velocity across the pipe (m/s), D the internal diameter (m) and μ the water viscosity (Pa s).

Table 1. Experimental conditions for the experiments carried out for determining the head loss and the area occupied by the sediments.

Type of sediment	Number of different experimental points	Head loss range (kPa)	Velocity range (m/s)	Reynolds number range
None	14	0.7 – 37.2	0.12 – 0.61	3175 – 15554
Aluminum oxide, < 250 μm	18	9.7 – 70.3	0.06 – 0.54	1524 – 13868
Sand, < 250 μm	44	4.1 – 39.0	0.08 – 0.62	1968 – 14831
Sand, 250-500 μm	64	3.1 – 48.3	0.04 – 0.64	946 – 15811

at the experiment average temperature of 22.9°C

Pipeline flushing can be considered as a case of solid transport in liquids. There are four flow regimes for the solid transport in liquids: homogeneous suspension, heterogeneous suspension, moving bed, and stationary bed (Abulnaga, 2002). The transition point between the heterogeneous suspension and the moving bed regimes is characterized by the deposition velocity v_D . When driplines are not flushed at velocities greater than v_D , contaminant particles will move much more slowly through the SDI system, which may increase potential for emitter clogging. The deposition particle velocity v_D (m/s) was calculated with the Durand and Condolios equation (1952):

$$v_D = F_L \sqrt{2 g D_i \left(\frac{\rho_s - \rho_L}{\rho_L} \right)} \quad (3)$$

where F_L is the Durand factor (dimensionless), g is the gravity acceleration (m/s^2), D_i the pipeline internal diameter (m), ρ_s the particle density (kg/m^3) and ρ_L the liquid density (kg/m^3).

The Durand factor F_L can be computed as (Schiller and Herbich, 1991):

$$F_L = 1.3 C_v^{0.125} (1 - e^{-6.9 D_{50}}) \quad (4)$$

where C_v is the particle volume concentration and D_{50} is the particle diameter at which 50% of the particles are finer (mm).

The particle density of the silica sand was considered to be 2650 kg/m^3 and the aluminum oxide was considered to be 3960 kg/m^3 .

Determination of the advance of sediments with time within the pipeline

A second test was carried out to analyze the effect of elapsed time on sediment transport within the pipeline. The procedure was similar to the experiment described in the previous section, but used only the two sizes of silica sand. A $75 \mu\text{m}$ (200 mesh) filter cloth was placed below the vertical flushline riser outlet to strain the particles transported out of the pipeline by the water. Each run lasted until no sediments could be seen in the pipeline or for a maximum operation time of 180 min. When a run ended, the cloth filter was removed and was replaced with a clean one. The pipeline inlet gate valve (Figure 1) was then opened to allow a higher flowrate for flushing the remaining sediments in the pipeline to be trapped by the new cloth. Both cloth filters were dried until a constant weight was reached and the total sediment weights were determined based on the initial clean cloth filter weights. This procedure was used to determine the effectiveness of flushing. During the process, it was determined that the filter cloth did not retain some of the smaller sediments, but the errors were not great. These errors will later be discussed later.

For these experiments, water temperature at storage tank was determined. These temperatures allowed calculating water density and viscosity considering the water temperature with the following formulae, which were obtained fitting the experimental data between 15 and 35°C to quadratic equations (Weast, 1986):

$$\rho = -0.0047T^2 - 0.0169T + 1000.5 \quad R^2 = 0.999 \quad (5)$$

$$\mu = 4 \cdot 10^{-7}T^2 - 4 \cdot 10^{-5}T + 0.0017 \quad R^2 = 0.999 \quad (6)$$

with ρ being the water density (kg/m^3), μ the water viscosity (Pa s) and T the water temperature ($^\circ\text{C}$) measured in the water storage tank during each run.

The experimental conditions for the different runs and sediments used are detailed in Table 2.

Table 2. Experimental conditions for the runs with sand to determine sediment advance time.

Type of sediment	Average velocity (m/s)	Average flowrate (m ³ /h)	Temperature (°C)	Reynolds number	Head loss (kPa)	Total operation time (min)
Sand, < 250 μm	0.16	0.29	25.2	4283	15.9	180
	0.23	0.41	22.6	5827	16.9	180
	0.27	0.49	26.2	7378	19.5	180
	0.27	0.49	23.3	6944	19.7	180
	0.31	0.56	23.0	7922	21.2	180
	0.34	0.63	18.2	7808	22.6	60
	0.38	0.69	21.1	9316	25.0	45
	0.46	0.84	21.6	11402	31.6	15
	0.54	0.98	23.5	13948	39.3	15
Sand, 250 – 500 μm	0.22	0.41	23.1	5634	19.3	180
	0.27	0.49	26.5	7423	18.8	180
	0.30	0.55	21.2	7371	19.3	180
	0.30	0.55	20.9	7322	19.3	60
	0.35	0.63	22.4	8829	23.1	60
	0.39	0.70	27.2	10873	26.2	25
	0.47	0.85	22.2	11804	32.2	15
	0.62	1.12	20.7	15065	45.9	5

Results and discussion

Head loss as related to water velocity

The head loss per unit of pipeline length as a function of water velocity (Figure 3) was very similar for the two sizes of silica sand. Since the mass concentration was the same for the two silica sands, and the particle density was similar, there would be less overall particles of the larger sand which helped to reduce differences in the head losses. In contrast, the head loss when using aluminum oxide was much greater, due primarily to its higher density. Exponential equations relating head loss per pipeline length versus water velocity were fitted (Table 3). As the flowrate approaches zero, theoretically there should be large increases in pressure drop due to the flow regime changing from heterogeneous and moving bed flow to a stationary bed where the pipe cross sectional area begins to become more restricted. However, this was not observed in this experiment, probably because the concentration of solids was low and also probably because localized increases in water velocity in the vicinity of any bed formation quickly eroded the larger particle blockages. There are more formalized procedures in the literature for calculating head loss in slurry flows (Wasp, 1977; Abulnaga, 2002). These results are provided to illustrate that the presence of sediments can increase head loss within pipelines.

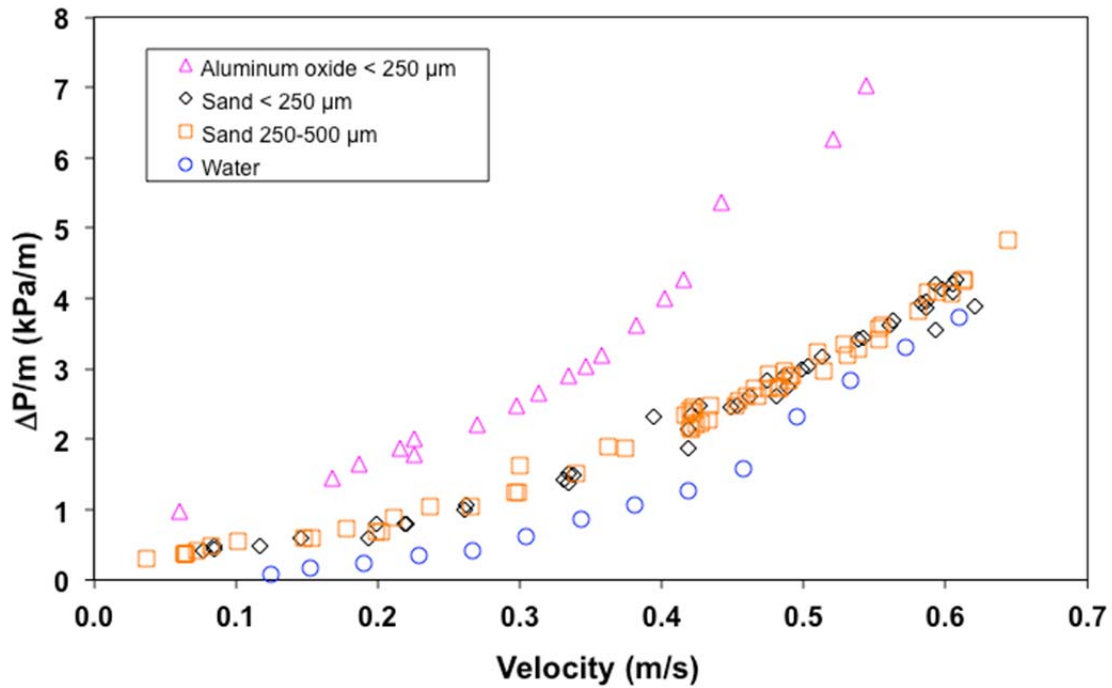


Figure 3. Head loss per pipelinelength ($\Delta P/m$) regarding water velocity and the type of sediments introduced in the driplines.

Table 3. Experimental equations relating head loss per unit length ($\Delta P/m$, in kPa/m) with water velocity (v , in m/s).

Type of sediment	Equation	R^2
Water (No sediment)	$\Delta P/m = 0.0527e^{7.4735v}$	0.9622
Aluminum oxide, < 250 μm	$\Delta P/m = 0.7361e^{4.1827v}$	0.9924
Silica sand, < 250 μm	$\Delta P/m = 0.3299e^{4.3526v}$	0.9834
Silica sand, 250-500 μm	$\Delta P/m = 0.3182e^{4.4703v}$	0.9844

The deposition velocity v_D calculated with Eq. 3 was 0.42 m/s for the silica sand of size smaller than 250 μm and 0.56 m/s for the aluminum oxide smaller than 250 μm (D_{50} , median diameter of particles, assumed to be 125 μm). For the larger silica sand with a size between 250 and 500 μm , the calculated v_D was 0.67 m/s (D_{50} assumed to be 375 μm). Below these velocities, the sediments moved slowly across the pipeline because the flow regime was a moving bed, as it is shown in Figure 4. Particles remaining in the driplines for a longer time period present a greater clogging hazard. These moving beds, which are analogous to the movement of sand dunes due to wind erosion, were also observed by Shannon et al. (1982) in a field microirrigation experiment using water from an irrigation canal.

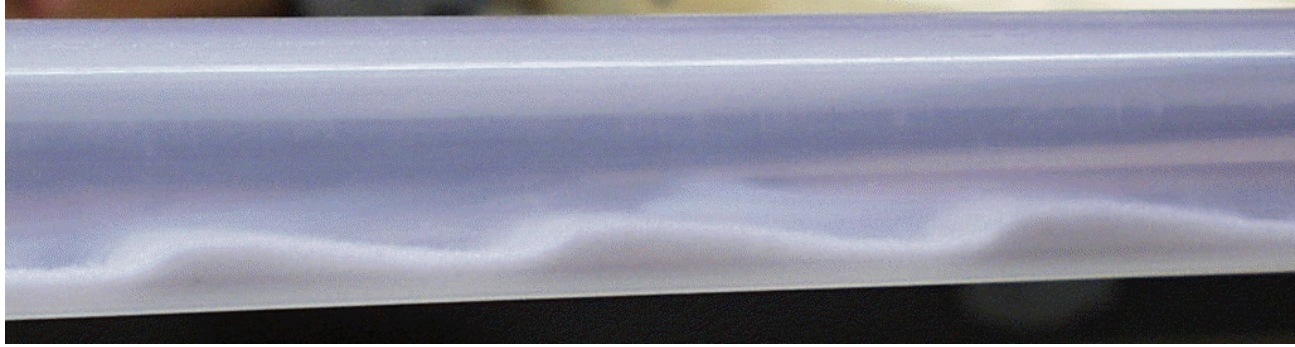


Figure 4. Slowly moving sediment bed observed when water velocity was below the deposition velocity. Water flow was from right to left.

Maximum depth of sediment deposition within the pipeline

The maximum deposition within the pipeline cross section by the different materials is shown in Figure 5. These values were obtained as the maximum height observed at any point within the pipe that occurred after the target velocity was reached. Logarithmic equations relating the maximum percentage of cross sectional area filled with sediments and water velocity are shown in Table 4. As it could be anticipated, the greater the water velocity, the less the cross sectional area filled with sediments. The maximum cross sectional area occupied by the sediments was less than 30% for velocities between 0.46 and 0.64 m/s, which were greater than deposition velocities (0.42 m/s for the silica sand smaller than 250 μm and 0.56 m/s for aluminum oxide). For the smallest flushing velocities (below 0.1 m/s) for which the bed movement was very limited, the maximum cross sectional area occupied by sediments was between 70% and 95%. These results reflect the influence of water velocity on the transport of sediments because the greater the maximum sediment bed height the less the sediments are moved within the pipe. However, these results do not consider either the effect of time or the positions where the sediments were deposited within the pipeline, which will be discussed later.

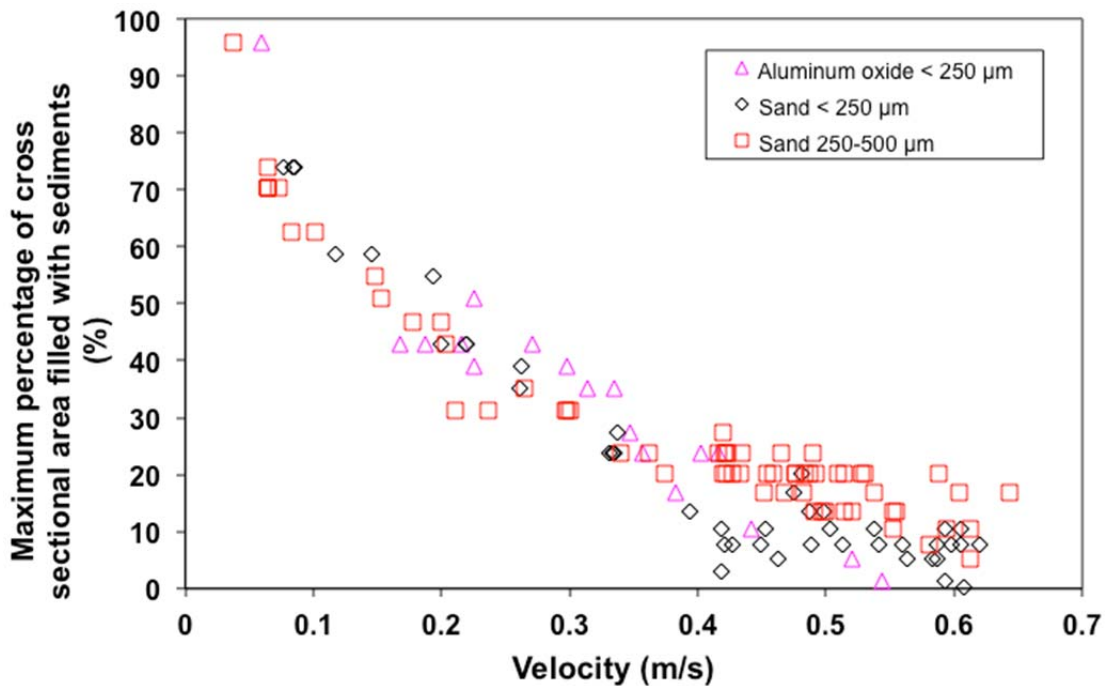


Figure 5. Maximum percentage of cross sectional area filled by sediments in function of water velocity and sediments.

Table 4. Experimental equations relating the maximum of cross sectional area filled with sediments (A_f , %) with water velocity (v , in m/s).

Type of sediment	Equation	R^2
Aluminum oxide < 250 μm	$A_f = -39.04 \ln(v) - 15.544$	0.9163
Sand < 250 μm	$A_f = -35.74 \ln(v) - 14.366$	0.9464
Sand 250-500 μm	$A_f = -27.10 \ln(v) - 1.359$	0.9655

Sediments dynamics within the pipeline

The sediment deposition and moving sediment beds demonstrated in Fig. 4 is further shown in Fig. 6. At the lowest water flushing velocities (0.16 and 0.23 m/s), the sediment deposits moved very slowly or almost not at all and as a result nearly all of the sediment ($\approx >99\%$) remained in the pipeline even after 180 minutes of flushing (Table 5). The algebraic closure error of sediments collected from the pipeline was not greater than 1.5% and is attributed to some very small particles were not retained by the filter cloth as mentioned in the procedures. As the velocity increased above approximately 0.27 m/s, approximately 25 to 30% of the silica sand could be flushed from the pipeline after 3 hours of pumping. The moving beds characterized in Fig. 6 emphasizes that for these sizes of silica sand, the flushing velocity was below the deposition velocity. However, at flushing velocities of approximately 0.46 m/s nearly 99% of the both sizes of silica sand were flushed from the pipeline within 15 minutes of the initiation of flushing (Table 5).

Table 5. Sand collected during the operation and after the final flushing for the runs with sand with a size below 250 μm .

Sediment	Average velocity (m/s)	Total operation time (min)	Sediment collected (%)		Sediment collection error (%)
			After normal operation	After final flushing	
Sand < 250 μm	0.16	180	0.0	99.6	0.4
	0.23	180	0.0	99.6	0.4
	0.27	180	74.2	24.7	1.1
	0.31	180	97.6	0.9	1.5
	0.34	60	97.1	2.4	0.5
	0.38	45	99.0	0.6	0.4
	0.46	15	98.9	0.6	0.5
	0.54	15	99.5	0.1	0.4
Sand 250-500 μm	0.22	180	0.1	99.8	0.1
	0.27	180	67.2	32.4	0.4
	0.30	180	99.2	1.5	0.7
	0.30	60	38.3	61.7	0.0
	0.35	60	98.8	1.0	0.2
	0.38	25	98.9	0.0	1.1
	0.47	15	99.4	0.6	0.0
	0.62	5	99.4	0.0	0.6

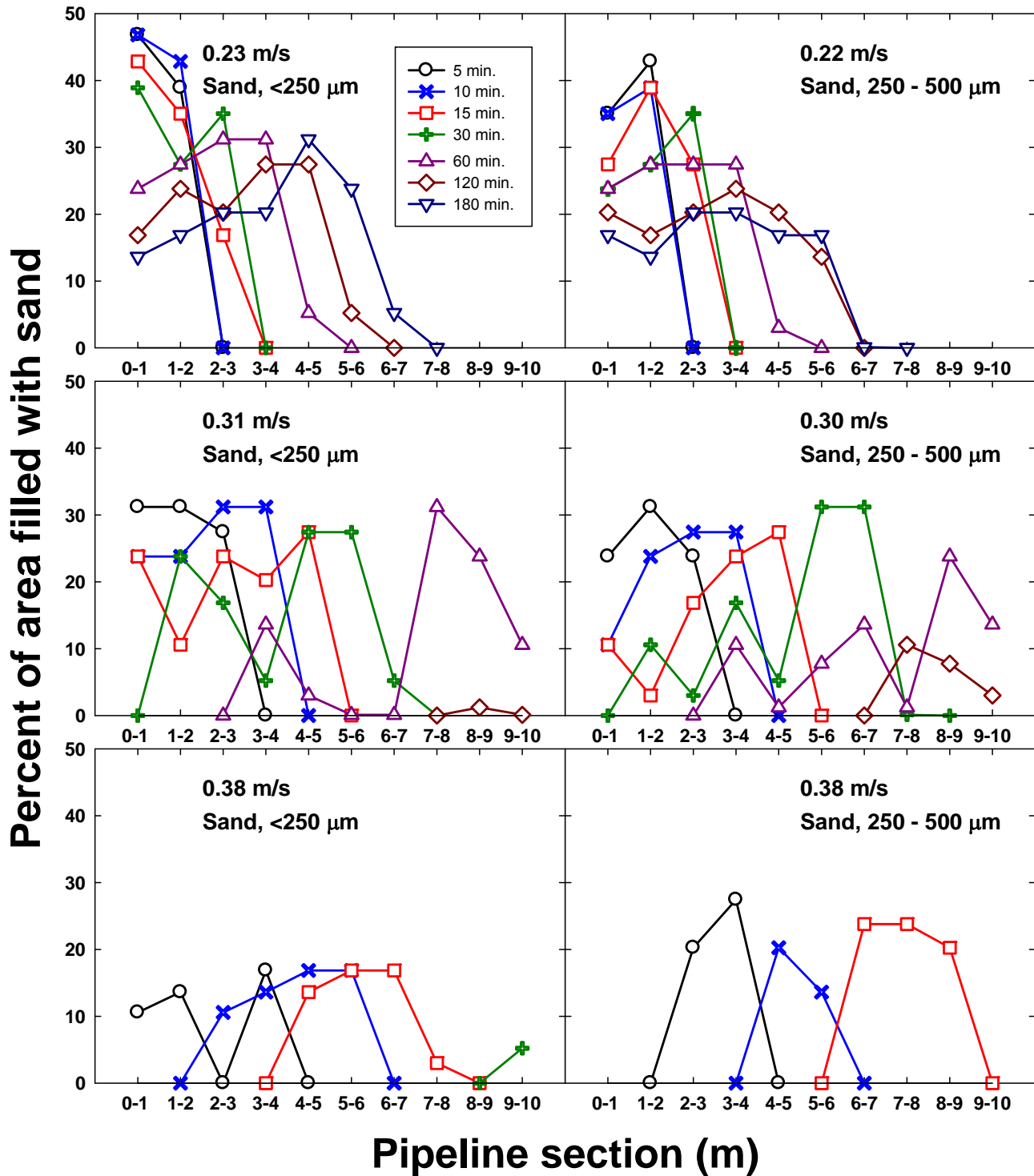


Figure 6. Percentage of cross sectional area filled by sediments in each different sections of the pipeline as affected by water flushing velocity, size of silica sand particles and the elapsed time since initiation of flushing. Missing symbols denote that no sedimentation was measured for that flushing velocity for that elapsed time period, meaning that most of the sediment had left the pipeline.

Although v_D for the smaller sand particles was calculated as 0.42 m/s, the v_D for the larger sand particles was calculated as 0.67 m/s, so flushing velocities below v_D can still be effective. This is probably because any increases in the sediment bed height leads to greater localized velocities (i.e., Continuity Eq., $Q=vA$) which will erode the bed and cause it to move further downstream. The migrations of the sand particles further downstream with time can be seen in Figure 6 and were also reported by Shannon et al. (1982). The question arises what happens to these beds when they reach the flushline riser. In this laboratory setting, it was observed that deposits accumulating near the riser were also eroded and carried out of the pipeline generally through the greater velocity at the center of the pipeline (data not shown). However, a similar question might be posed about removal of sediments that might be flushed from smaller driplines into a larger collector flushline. In this case, some sediment is likely to accumulate based on Eqs. 3 and 4 due to the much larger pipe size and might only be partially removed periodically by greater localized velocities as sediment begins to accumulate. However, the collector lines are reasonably large and should last many years and, in terms of overall investment, the driplines are what are most important to protect. Examination of Eqs. 3 and 4 suggests that different size driplines might have different flushing velocity requirements as was reported by Koegeleberg (1998). As dripline diameter increases, the deposition velocity also increases. Based on this study's results it cannot be concluded that the values shown in Table 6 are necessary for adequate flushing, but Table 6 does illustrate how dripline diameter and particle size can affect sediment dynamics. For typical filtration levels between 75 and 125 μm (D_{50} below these values) flushing velocities between 0.3 and 0.4 m/s are greater than the theoretical deposition velocity and should favor sediment removals from driplines. Driplines that have welded-on emitters or other appreciable intrusions into the water flow stream would have increased turbulence that would also likely increase movement of sediments as was reported by Shannon et al. (1982) for barbs intruding in the dripline. Another caveat to note is that in a real dripline with emitters that are discharging water, flushing velocities would be reduced with increased distance from the inlet. The velocity differences might result in different sediment transport regimes across the length of the dripline.

Table 6. Deposition velocities (m/s) calculated by Eqs 3 and 4 for various diameter driplines and sediment particle D_{50} diameters assuming a particle density of 2.65 kg/m³ and a volumetric concentration of solids of 2%. The selected particle sizes are thought to be realistic values that might be encountered in typical microirrigation systems.

Dripline internal diameter (mm)	D_{50} , median sediment particle diameter (μm)					
	25	50	75	100	125	150
15.9	0.09	0.17	0.23	0.29	0.33	0.37
22.2	0.11	0.20	0.27	0.34	0.39	0.44
25.4	0.12	0.21	0.29	0.36	0.42	0.47
34.9	0.13	0.25	0.34	0.42	0.49	0.55

When analyzing the advance of the two types of silica sand along the pipeline, it was found that at a velocity of 0.3 m/s at an elapsed time of 10 minutes most of the particles did not reach the midway point of the pipeline but there were differences in the occupation percentages by section (Fig. 6). A flushing velocity of 0.30 m/s was able to remove most of the sand particles if the flushing event was extended as long as 180 minutes. At greater velocities, as the flow regime changes to a heterogeneous suspension and further into a homogeneous suspension, flushing times could be greatly reduced. A five minute flushing duration was sufficient for removing most of the silica sand if the flushing velocity was 0.62 m/s. A flushing duration of 180 minutes or a flushing velocity of 0.62 m/s may not be practical. However, it should be noted that these sizes of silica sand sediments externally introduced into driplines would represent extreme conditions, not common in microirrigation practice. The size of clay particles are typically $<2 \mu\text{m}$ and silt particles are between 2 and 50 μm (Nakayama et al., 2007) that typically pass through microirrigation filter systems, so the sediments in this study were much larger. As slow migration of bed particles likely exists in real microirrigation systems, end-users should extend the flushing duration perhaps as much as 5 minutes past the initial flush of sediments changing to clear water. This would allow for additional sediments to be flushed from the system. The authors have anecdotally observed additional amounts of sediment occurring after the initial clearing of the water on research SDI systems at the Center.

This study dealt only with inorganic particles. If microorganisms are present in irrigation water, (e.g., surface waters and reclaimed effluents) more clogging is due to biofilm formation, which could also attach inorganic particles. Biofilms have their own dynamics, but their formation in driplines is mainly due to nutrients and

suspended particles for velocities smaller than the velocity at which biofilm thickness reaches its maximum (0.45 m/s), whereas it is due to hydraulic shear force for velocities greater than deposition velocity (Li et al., 2012).

Conclusions

This study analyzed the effect of flushing velocity and the time required for removing inorganic sediments from within a microirrigation dripline, which was simulated here with a clear PVC pipeline. In this laboratory experiment, silica sand and aluminum oxide sediments with sizes up to 500 μm , which are much higher than those in properly managed microirrigation systems, were used because this avoided turbidity issues from the more typical clay and silt particles which are smaller than 50 μm . Although many of the laboratory results cannot be directly applied to a field microirrigation dripline, the study results do demonstrate the complex flow regimes that can occur within driplines. The results suggest that a flushing velocity of approximately 0.46 m/s, which is slightly greater than the theoretical deposition velocity for silica sand with a size smaller than 250 μm , will remove approximately 99% of the sediments from a 25 mm internal diameter pipe in 15 minutes. At lesser velocities (i.e., 0.34 to 0.38 m/s), similar sediment removals can still be achieved but longer flushing times are necessary. Under more realistic microirrigation practices conditions (i.e., soil particles smaller than 75 μm , a lower concentration of solids of less than 2%, and smaller driplines with diameters less than 25 mm) flushing velocities around 0.3 m/s would appear to be adequate. The combined use of the Durand and Condolios and the Schiller and Herbich equations to calculate the deposition velocity would be recommended for helping to assess the potential for insufficient flushing capability in new microirrigation system designs. Increasing the duration of flushing would be an inexpensive means of increasing the adequacy of flushing without requiring a greater flushing velocity which increases system cost. The study did not evaluate the complexities to the flow regime that might occur when emitters are present and discharging water or when emitters are affecting the turbulence within the dripline (i.e., internal welded-on emitters protruding into the flow stream), so further research would be useful to investigate those interactions.

References

- Abulnaga, B. E. 2002. Chapter 4: Heterogeneous flows of settling slurries. In *Slurry Systems Handbook*. New York, N.Y.: McGraw Hill.
- Adin, A., and M. Sacks. 1991. Dripper-clogging factors in wastewater irrigation. *J. Irrig. Drain. Eng.* 117(6): 813-827.
- ASAE Standards. 2003. EP405.1: Design and installation of microirrigation systems. St. Joseph, Mich.: ASAE..
- Durand, R. and E. Condolios. 1952. Étude expérimentale du refoulement des matériaux en conduite. *2èmes Journées de l'Hydraulique*. Societe Hydrotechnique de France, Grenoble.
- Hills, D. J., and M. J. Brenes. 2001. Microirrigation of wastewater effluent using drip tape. *Applied Eng. in Agric.* 17(3): 303-308.
- Hills, D.J., M.A. Tajrishy, and G. Tchobanoglous, 2000. The influence of filtration on ultraviolet disinfection of secondary effluent for microirrigation. *Trans. ASAE* 43 (6), 1499–1505.
- Koegelenberg, F. H. 1998. The engineering aspects of sub-surface drip irrigation. ARC-Institute for Agricultural Engineering, Agricultural Research Council, Silverton, South Africa. 27 pp.
- Lamm, F. R. and C. R. Camp. 2007. Chapt. 13: Subsurface drip irrigation. *Microirrigation for Crop Production – Design, Operation and Management*, pp. 473-551. F. R. Lamm, J. E. Ayars, and F. S. Nakayama, eds. Amsterdam, The Netherlands: Elsevier.
- Li, G.B., Y.K. Li, T.W. Xu, Y.Z. Liu, H. Jin, P.L. Yang, D.Z. Yan, S.M. Ren, and Z. F. Tian. 2012. Effects of average velocity on the growth and surface topography of biofilms attached to the reclaimed wastewater drip irrigation system laterals. *Irrig. Sci.* 30 (2): 103-113.
- Nakayama, F. S., B. J. Boman, and D. J. Pitts. 2007. Chapt. 11: Maintenance. *Microirrigation for Crop Production – Design, Operation and Management*, 389-430. F. R. Lamm, J. E. Ayars, and F. S. Nakayama, eds. Amsterdam, The Netherlands: Elsevier.
- Puig-Bargués, J., G. Arbat, M. Elbana, M. Duran-Ros, J. Barragán, F. Ramírez de Cartagena, and F. R. Lamm. 2010a. Effect of flushing frequency on emitter clogging in microirrigation with effluents. *Agric. Water Manage.* 97(6): 883-891.
- Puig-Bargués, J., F. R. Lamm, T. P. Trooien, and G. A. Clark. 2010b. Effect of dripline flushing on subsurface drip irrigation systems. *Trans. ASABE* 53(1): 147-155.
- Ravina, I., E. Paz, Z. Sofer, A. Marcu, A. Shisha, and G. Sagi. 1992. Control of emitter clogging in drip irrigation with

- reclaimed wastewater. *Irrigation Sci.* 13(3): 129-139.
- Ravina, I., E. Paz, Z. Sofer, A. Marcu, A. Shisha, G. Sagi, Z. Yechialy, and Y. Lev. 1997. Control of clogging in drip irrigation with stored treated municipal sewage effluent. *Agric. Water Manage.* 33(2-3): 127-137.
- Schiller, R.E. and P.E. Herbich. 1991. Sediment transport in pipes. *Handbook of Dredging*. P.E. Herbich, ed. New York, NY: McGraw-Hill.
- Shannon, W.M.; James, L.G.; Basset, D.L. and W.C. Mih. 1982. Sediment transport and deposition in trickle irrigation laterals. *Transactions of the ASAE*, 25 (1): 160-164.
- Tajrishy, M. A., D. J. Hills, and G. Tchobanoglous. 1994. Pretreatment of secondary effluent for drip irrigation. *J. Irrig. Drain. Eng.* 120(4): 716-731.
- Wasp E. J., J. P. Kenny, and R. L. Gandhi. 1977. Solid-Liquid Flow Slurry Pipeline Transportation. Trans Tech Publications.
- Weast, R.C. (ed). 1986. CRC Handbook of Chemistry and Physics. 67th Edition. CRC Press, Inc., Boca Raton, Florida.